

C & tanδ METER DAC-ASC-5



Ideal for Capacitor Quality Test

- Fast and accurate automatic measurement.
- Judge the capacitance and tanδ in about 1 sec.
- Suitable for automatic line testing.

Tolerance to nominal capacitance value and upper limit of tanδ are defined in testing standards and need to be confirmed to assure the quality of the capacitors.

DAC-ASC-5 is a testing device that can precisely measure the capacitance, capacitance deviation (ΔC) and tanδ (dissipation factor) of capacitors in about 1 second. By setting the tolerance values, a pass/fail judgment is automatically made. Since the pass/fail results are output via a photocoupler, DAC-ASC-5 can be used as an automatic capacitor sorter. GP-IB and RS232C interfaces are provided for external control, enabling automation of the inspection line.

Test Specimen

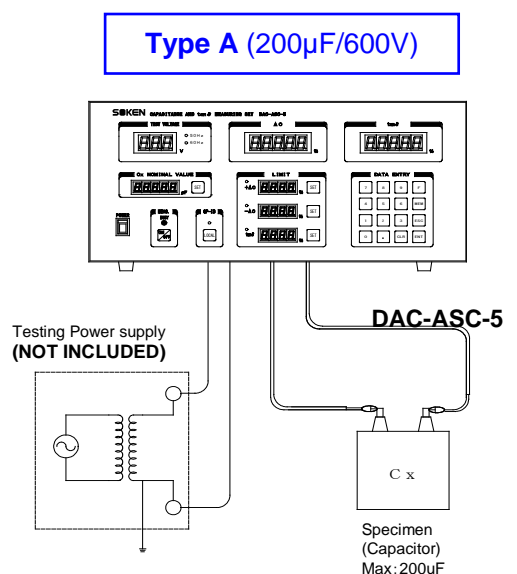
Phase advanced Capacitors, Capacitors for Electronics

Specifications

	200uF / 600V type
Test Voltage	AC50V - 600V
Test Range	Capacitance 0.01uF - 200uF tanδ 0 - 20%
Resolution	ΔC 0.01% tanδ 0.001%
Accuracy	ΔC ±(0.2%+3%Rdg+2digit) tanδ ±(0.01%+3%Rdg+2digit)
Measuring Time	1 second or less *1
Interface	GP-IB (IEEE-488-1987 Compliance) RS-232C
AC Power	AC100V-240V±10%, 50/60Hz
Component	1 unit: W430×H199×D380mm, 15kg
Configuration	Type A

*1: When measuring a specimen like ΔC>20% or tanδ>10%, the measuring time may become longer.

Connection Diagrams (Examples)



C & tanδ METER DAC-ASC-5

Specifications

	3300uF / 600V type *1	3300uF / 1200V type *1
Test Voltage	AC50V - 600V	AC100V - 1200V
Test Range	Capacitance 0.01uF - 3300uF	
	tanδ 0~20%	
Resolution	ΔC ±0.01%	
	tanδ ±0.001%	
Accuracy	ΔC ±(0.2%+3Rdg+2digit)	
	tanδ ±(0.01%+3Rdg+2digit)	
Measuring Time	1 second or less *2	
Interface	GP-IB (IEEE-488-1987 Compliance) / RS232C	
AC Source	AC100V-240V ±10% 50/60Hz	
Component	Main Unit: W430 x H199 x D380mm, 12kg	
	CT&Cs Unit: W210 x H240 x D200mm, 5kg	
	Switch Unit: W210 x H250 x D200mm, 8kg	
Configuration	Type B	Type C



Switch Unit



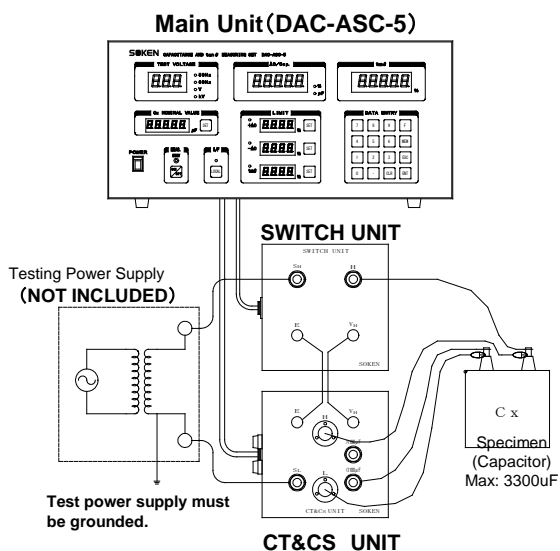
CT & Cs Unit

*1: Maximum testing current: 200A

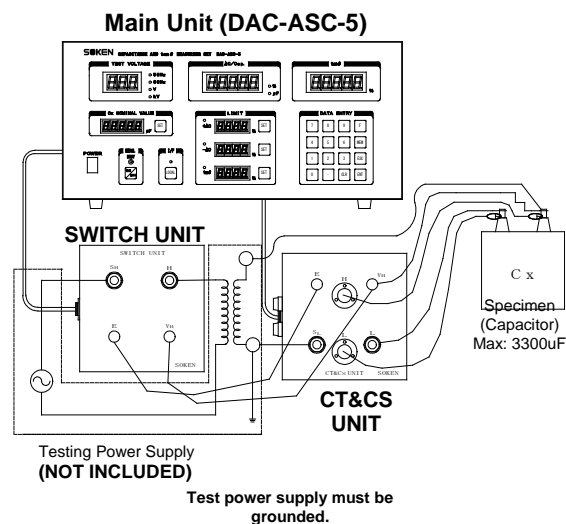
*2: When measuring such specimen as ΔC>20% or tanδ>10%, the measuring time become longer.

Connection Diagrams (Examples)

Type B (3300μF/600V)



Type C (3300μF/1200V)



REMARKS:

※For Type B and C, the 3-unit combination (Main unit, CT&Cs unit and Switch unit) is necessary to perform measurement.

※The above connections are examples and will differ depending on the capacitance of Cx.

Specifications are subject to be changed without prior notice.

2023/05/11

SOKEN

1-34-22, TOBITAKYU
CHOFU, TOKYO 182-0036
JAPAN

TEL: 81 42 490 6929 (Export Dept)
FAX: 81 42 490 6807
www.soken-jp.com

